

Recessed CE3535

CE3535-A60



CE3535-A60

Basic Parameters

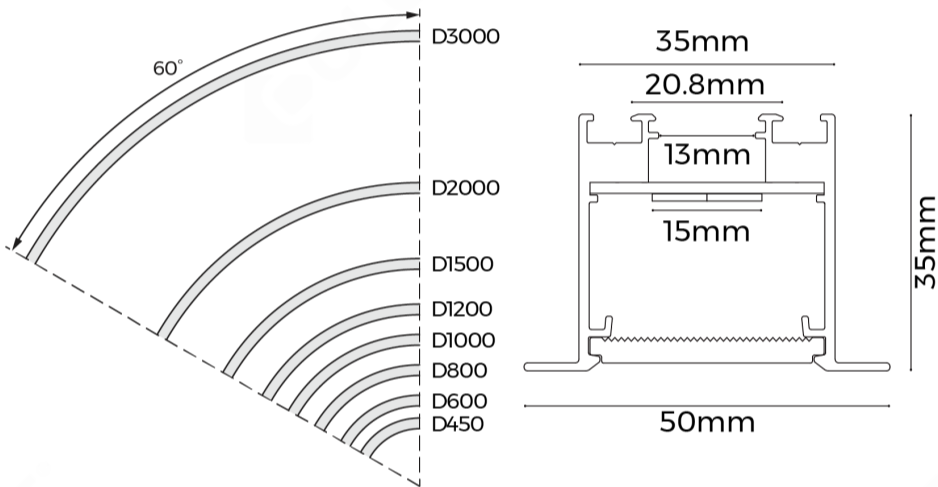
Application	Indoor
Material	AL6063-T5,spraying surface
IP Grade	IP20
Warranty	5 years

Electrical Parameters

Optical Parameters

Length	D450mm,D600mm,D800mm,D1000mm,D1200mm,D1500mm,D2000mm,D3000mm
Luminous Efficacy	70LM/W

Dimensions

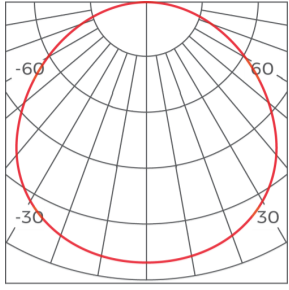


Luminaire Parameters

Version	Size(mm)	Power(W)	PCB Current(A)	CRI	CCT	Lumens(LM) @White,Sliver	Lumens(LM) @Black
Regular	D450mm	5	0.21	>80	4000K	350	297
Regular	D600mm	6	0.25	>80	4000K	420	357
Regular	D800mm	8	0.33	>80	4000K	560	476
Regular	D1000mm	10	0.42	>80	4000K	700	595
Regular	D1200mm	12	0.5	>80	4000K	840	714
Regular	D1500mm	15	0.625	>80	4000K	1050	892
Regular	D2000mm	20	0.83	>80	4000K	1400	1190
Regular	D3000mm	30	1.25	>80	4000K	2100	1785
Regular	D450mm	5	0.21	>90	4000K	301	255
Regular	D600mm	6	0.25	>90	4000K	361	307
Regular	D800mm	8	0.33	>90	4000K	481	409
Regular	D1000mm	10	0.42	>90	4000K	602	511
Regular	D1200mm	12	0.5	>90	4000K	722	614
Regular	D1500mm	15	0.625	>90	4000K	903	767
Regular	D2000mm	20	0.83	>90	4000K	1204	1023
Regular	D3000mm	30	1.25	>90	4000K	1806	1535

Light Distribution

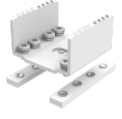
Regular-110°



h(m)	D(cm)	E(lx)
1	277	242
2	554	60
3	831	26
4	1108	14

Common Accessories

Splicing accessory



EX-E15

Applicable product model: CS3535/C E3535 Material process:SPCC/ Electro phoresis Size: L31.5*W30*H18mm Quantity: 1 PCS/SET Other:Includes mounting screws.

Dedicated light source



DA1682415

Applicable product model : AS3535/AH5060 Size: 5000*15*1.5mm Cutting Unit : 35.71mm Input Voltage : DC24V Typ.Power : 20W/M Typ.luminous flux: 756LM/M CCT:RGB CRI: / Other : 20# wire diameter, outer diameter 5mm, red-green-blue-white 4PIN transparent crystal cable



DMA1202415

Applicable product model : AS3535/AH5060 Size: 4000*15*1.5mm Cutting Unit : 50mm Input Voltage : DC24V Typ.Power : 25W/M Typ.luminous flux: 724LM/M CCT: RGB Control Mode:DMX CRI: / Other : 20# wire diameter, outer diameter 5mm, red-green-blue-white 4PIN transparent crystal cable



DS81602415

Applicable product model : AS3535/AH5060 Size: 5000*15*1.5mm Cutting Unit : 50mm Input Voltage : DC24V Typ.Power : 19.2W/M Typ.luminous flux: 2880LM/M CCT: 2700/3000/3500/4000/5000/6500K CRI: 80/90 Other : 18# wire diameter,PVC material, 2PIN red-black wire



DS83202415

Applicable product model:AS3535/AH5060 Size: 4000*15*1.5mm Cutting Unit:50mm/16LEDs Input Voltage:DC24V Typ.Power:38.4W/M(2700K+6500K) Typ.luminous flux: 2880LM/M@2700K CCT: 2700K+6500K CRI: 80/90 Other:Outer diameter 6mm,18# wire diameter, brown-blue-green 3PIN crystal wire

Cover



CV-CS3535D

Applicable product model:CS3535/C S3570/CE3535(suitable for down-lighting) Diffuser Nature: Diffuser Material process: silica gel flexible/frosting Light transmittance:≥55% Size: 20000*32*3.5mm Other: Fire protection rating UL94-V2; increased silicone oil on both sides (dustproof)

Controller



CR2-GBA

Product Name: CR2-GBA Input Voltage: 12-48V Output Current:8A*2CH,Max 16A Output Power:192W/384W@12V/24V , 384W/576W@36V/48V Dimming Mode: Two-color 2.4 remote control IP:IP20 Product Size:L175*W45*H27(mm)

End cap accessory



EC-ME3535

Applicable product model: ME3535
Material process: aluminum/ powder spraying
Size: L50*W35*H2.5mm
Quantity: 2PCS/ set

Installation accessory



CP-53

Applicable product model: MS3535/MS3570/ME3535
Applicable installation: Pendant/Ceiling/Recessed
Material process: Stainless Steel
Size: L22.67*W20*H5.3mm
Quantity: 4 PCS/SET



RB-04

Applicable product model: ME3535/ME5035/ME7035
Installation method: Recessed
Material process: aluminum alloy/oil spray
Size: 24*6.9*15.7mm
Quantity: 4PCS/ set

CCT-Remote control



R7-1

Product Name: R7-1 Dual Color Remote
Working Voltage: 3VDC (Battery CR2032)
Operating Frequency: 2.4GHz
Remote Control Distance: 30 meters
Operating Temperature: -30°C~55°C
Product Size: L107*W58.5*H9(mm)

Power Supply



BK-DEV200-24VOD

Applicable product model: General
Dimming mode: DALI2, PUSH-dimming, 1-10V 3in1 dimming
Size: 361*33.1*22.8mm
Input voltage: AC200-240V
Operating frequency: 50/60Hz
PF value: ≥ 0.9
Output voltage: DC24V
Output current: $\leq 8.3A$
Power: 200W
Efficiency: 0.92
Certification: TUV, CE, RCM
Case material: Metal housing



BK-DGVX-24VOD

Product Name: BK-DGV036-24VOD/BK-DGV060-24VOD/BK-DGV100-24VOD
Applicable product model: General
Output power: 36W/60W/100W
Output current: $\leq 1.5A/\leq 2.5A/\leq 4.2A$
Product size: 245.0*30.0*21.0mm/285.0*30.0*21.0mm/355.0*30.0*21.0mm
Input voltage: AC200-240V
Input voltage: AC200-240V
Operating frequency: 50/60Hz
Output voltage: DC24V
PF value: ≥ 0.9
Efficiency: ≥ 0.88
IP: IP20
Dimming mode: DALI-2, PUSH-Dimming, 1-10V 3in1 Dimming
Certification: CE, ENEC, UKCA, RCM, CCC, EL
Material: Metal housing
Warranty: 5 years



BK-MEV200-24VOM

Applicable product model: General
Dimming mode: 1-10V Dimming
Size: 321.5*48*30mm
Input voltage: AC200-240V
Operating frequency: 50/60Hz
PF value: ≥ 0.9
Output voltage: DC24V
Output current: $\leq 8.3A$
Power: 200W
Efficiency: 0.93
Certification: CE, ENEC, UKCA, RCM, CCC, EL
Case material: Metal housing



BK-MGVX-24VOM

Product Name: BK-MGV036-24VOM/BK-MGV060-24VOM/BK-MGV100-24VOM
Applicable product model: General
Output power: 36W/60W/100W
Output current: $\leq 1.5A/\leq 2.5A/\leq 4.2A$
Product size: 245.0*30.0*21.0mm/285.0*30.0*21.0mm/355.0*30.0*21.0mm
Input voltage: AC200-240V
Operating frequency: 50/60Hz
Output voltage: DC24V
PF value: ≥ 0.9
Efficiency: ≥ 0.89
IP: IP20
Dimming mode: 1-10V Dimming
Certification: TUV, CE, ENEC, RCM
Material: Metal housing
Warranty: 5 years



LF-GHYXH24

Applicable product model: General
Dimming mode: Non-Dimming
Size: 316*30.7*22.8mm / 361*33.1*22.8mm
Input voltage: AC220-240V
Operating frequency: 50/60Hz
PF value: ≥ 0.9
Output voltage: DC24V
Output current: $\leq 4.25A / \leq 10A$
Power: 100W / 240W
Efficiency: 0.92
Certification: ENEC, CE, CB, RCM, UKCA, MM, CCC
Case material: Plastic

Packing

QTY/CTN	N. WT (ctn)	G.WT (ctn)	Size (cm/carton)	Product Size (mm)
50	7.2	7.92	90*29*34	D450*35*35mm
40	8	8.8	67*37*34	D600*35*35mm
30	7.8	8.58	46*52*34	D800*35*35mm
25	8.4	9.24	52*56.5*34	D1000*35*35mm
20	8.1	8.91	67.5*52*27.5	D1200*35*35mm
21	13	14.3	82.5*72.5*21	D1500*35*35mm
12	7.9	8.69	106.5*50*21	D2000*35*35mm
15	17	18.7	156.5*65*21	D3000*35*35mm

Attentions

1. Non-professionals are prohibited from installing, disassembling and repairing the product.
2. Avoid scratching, distortion and irregular bending of the product during installation; otherwise it may cause irreparable damage to the product.
3. Please use professional cutting tools when cutting.
4. Do not use any acid or alkaline adhesive to fix products.
5. The product is only suitable for indoor dry places, can not be used in outdoor, seaside or wet environment.
6. PC features: Each 10°C rise or drop will make diffuser extend or shrink 0.8mm/m[0.01"/ft], please confirm before processing and use.